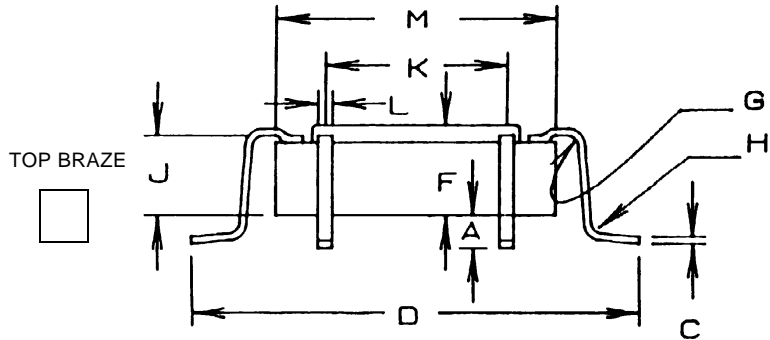


Quad Pack Specification Sheet

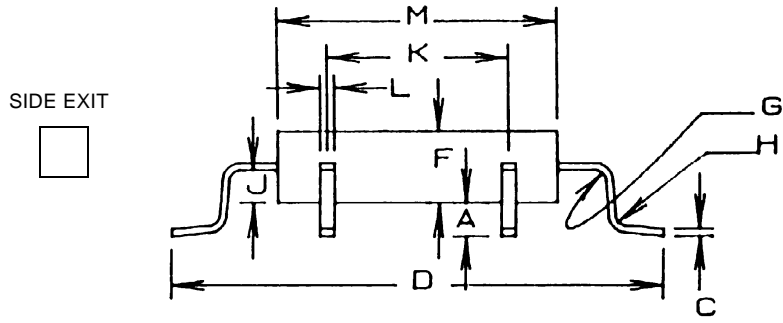
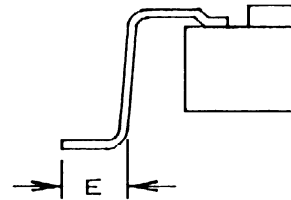
PACKAGE TYPE:

FOOT CONFIGURATION:

CUSTOMER _____
 PART NUMBER _____
 PART DESCRIPTION _____
 CUSTOMER NAME _____
 APPROVAL: TITLE _____
 DATE _____

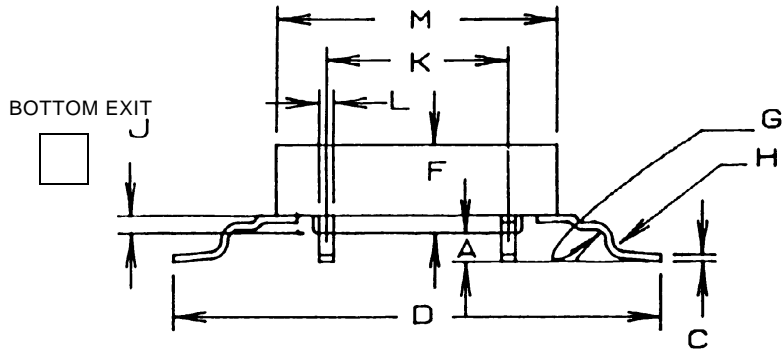
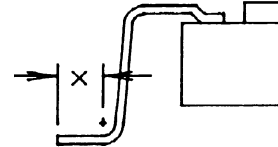


OPTION 1



OPTION 2

(JEDEC)



DIMENSIONS ARE IN INCHES

	DIM X	DIM Y	TOLERANCE
A	0.	0.	±0.
C	0.	0.	±0.
D	0.	0.	±0.
E	0.	0.	±0.
X	0.	0.	±0.
F	0.	0.	±0.
G	0.	0.	±0.
H	0.	0.	±0.
J	0.	0.	±0.
K	0.	0.	±0.
L	0.	0.	±0.
M	0.	0.	±0.
PITCH	0.	0.	±0.
# OF LEADS PER SIDE			
TOTALS # OF LEADS			

PACKAGE TYPE: METAL
 CERAMIC
 PLASTIC
 GLASS SEAL

LEAD TYPE: FLAT
 ROUND
 UP
 DOWN